

Lifts and handles
elements up to 380 kg

SL 380 Outdoor

for indoor and outdoor use



SL 380 Outdoor — off-road excellence

The SL 380 Outdoor is ideal for lifting jobs on building sites. This Smartlift lifts up to 380 kg both indoors and off-road.

- Offroad with front-wheel drive
- Manoevrable with dual rear wheels
- Big wheels
- Self-propelled
- Electronic brake
- Lifting height 2400 mm (centre of yoke)
- Two vacuum circuits with two pumps
- Four Suction pads Ø 300 mm
- Ergonomic operation handle
- Waterproof according to ip65



It has a 1200 W engine and an electronic braking system. Even when carrying a maximum load of 380 kg, the Smartlift has more than enough engine power to work outdoors in difficult terrain.

The lifting device is fitted with wide twin tyres to ensure that it does not get bogged down under extreme off-road conditions. The wide tyres also ensure that the device is uniquely stable.

N.A. Christensensvej 39
DK-7900 Nykøbing Mors
Tel.: +45 97 72 29 11
E-mail: smart@smartlift.dk
www.smartlift.dk

Smart Lift
DENMARK



The Smartlift is easily transported in a van or on a trailer

The SL 380 can be shifted sideways up to 100 mm for precision adjustment during the window installation process.



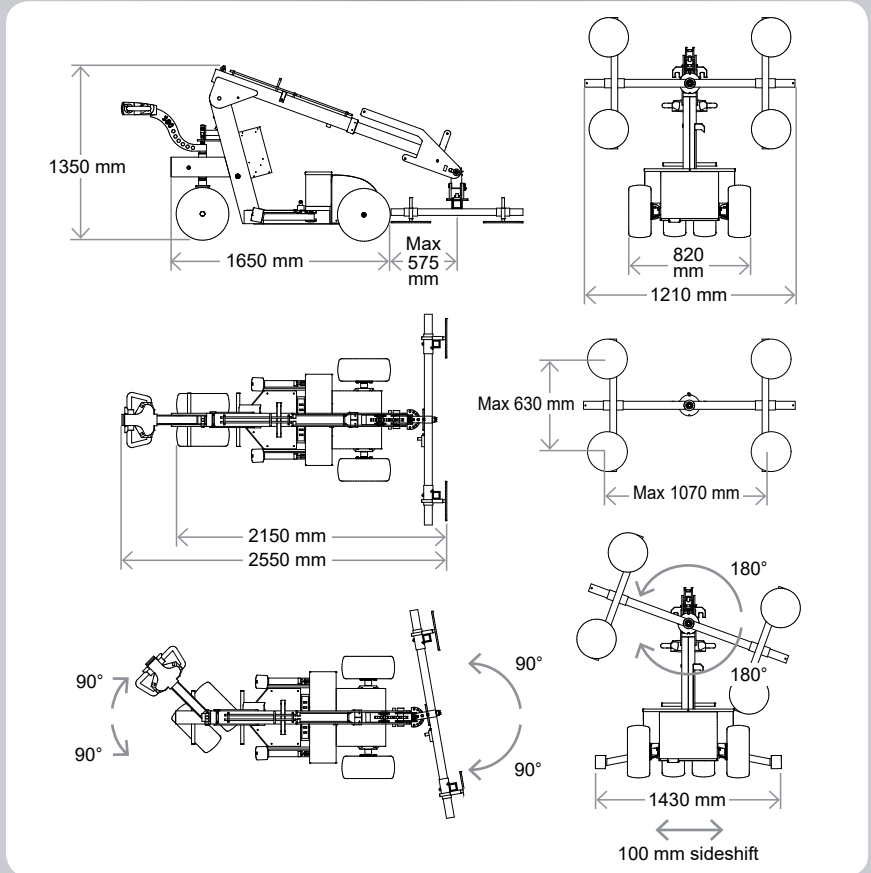
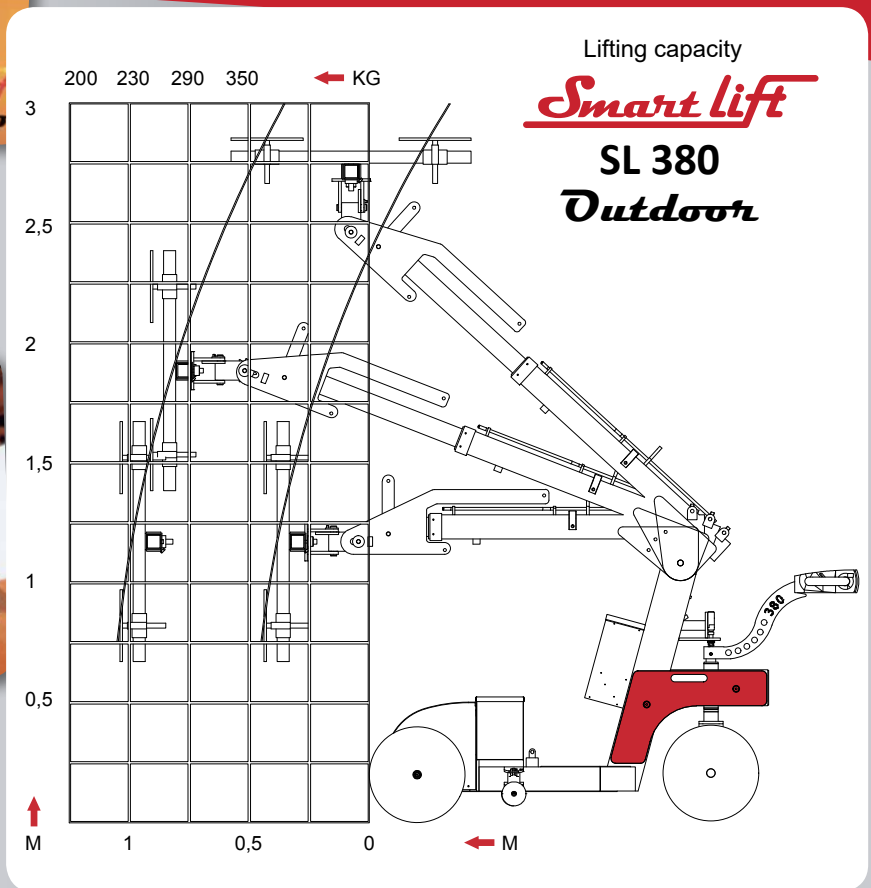
The SL 380 Outdoor is fitted for window and glass installation as standard, but can be supplied with a special device for lifting e.g. heavy fire doors and gates.



This Smartlift has a dual-circuit vacuum system for maximum safety. Vacuum circuits shown here with blue and red vacuum tubes.

Technical data

Description	Value
Weight	630 kg
Height	1350 mm
Width (min)	820 mm
Length (min)	2150 mm
Extension of arm	600 mm
Tip from horizontal	45° back og 90° forward
Speedregulation	Stepless high/low
Sideshift	100 mm
Vacuum system	2 circuit
Lifting height	2770 mm
Chargingvoltage	230 volt
Integrated charger	Cetek XT 14000
Chargingtime	Approx 8 hours
Battery (2 x 12v) 24 volt	2 x 105 A
Runningperiod	Approx 30 hours
Front-wheel drive	1200 Watt - AC
Brake	Elektronic
Suction pads	4 unit Ø 300 mm
Automatic suction	2 vacuum pumps
Lifting capacity arm in/extended (600 mm)	380 kg/200 kg



N.A. Christensensvej 39
 DK-7900 Nykøbing Mors
 Tel.: +45 97 72 29 11
 E-mail: smart@smartlift.dk
 www.smartlift.dk